



# FEDERATION INTERNATIONALE DE L'AUTOMOBILE

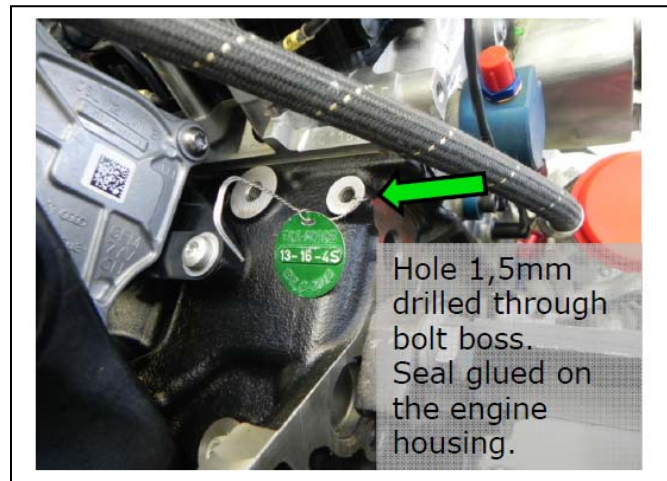
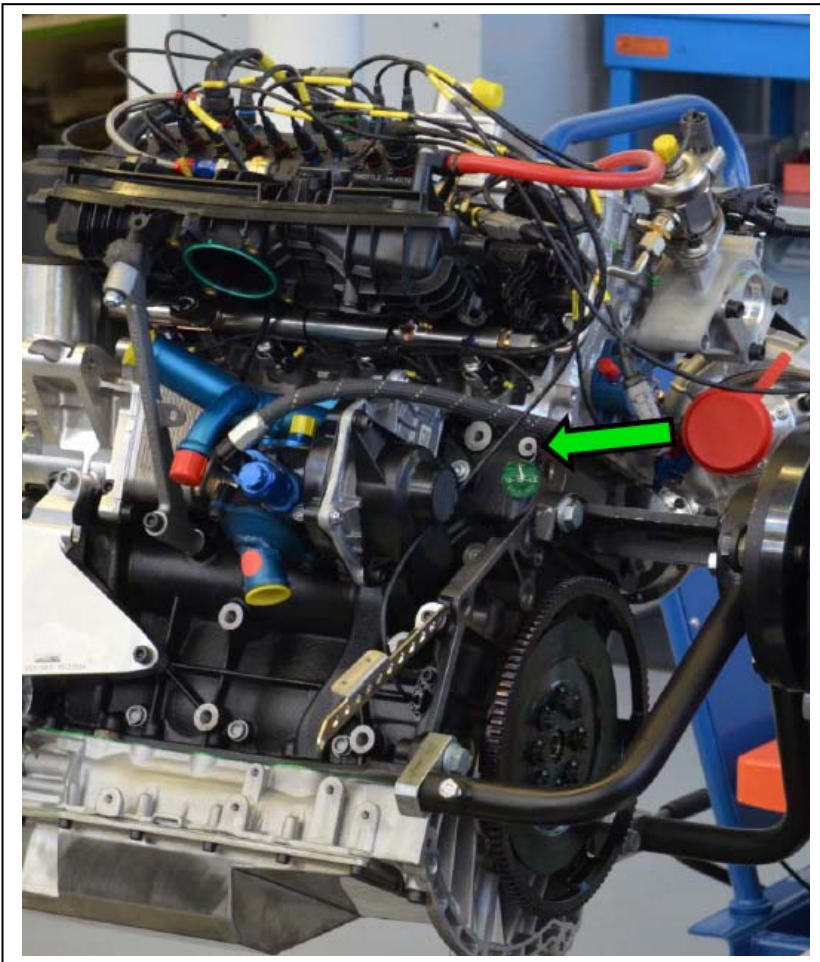
Make: SKODA

Homologation Number: A-5760

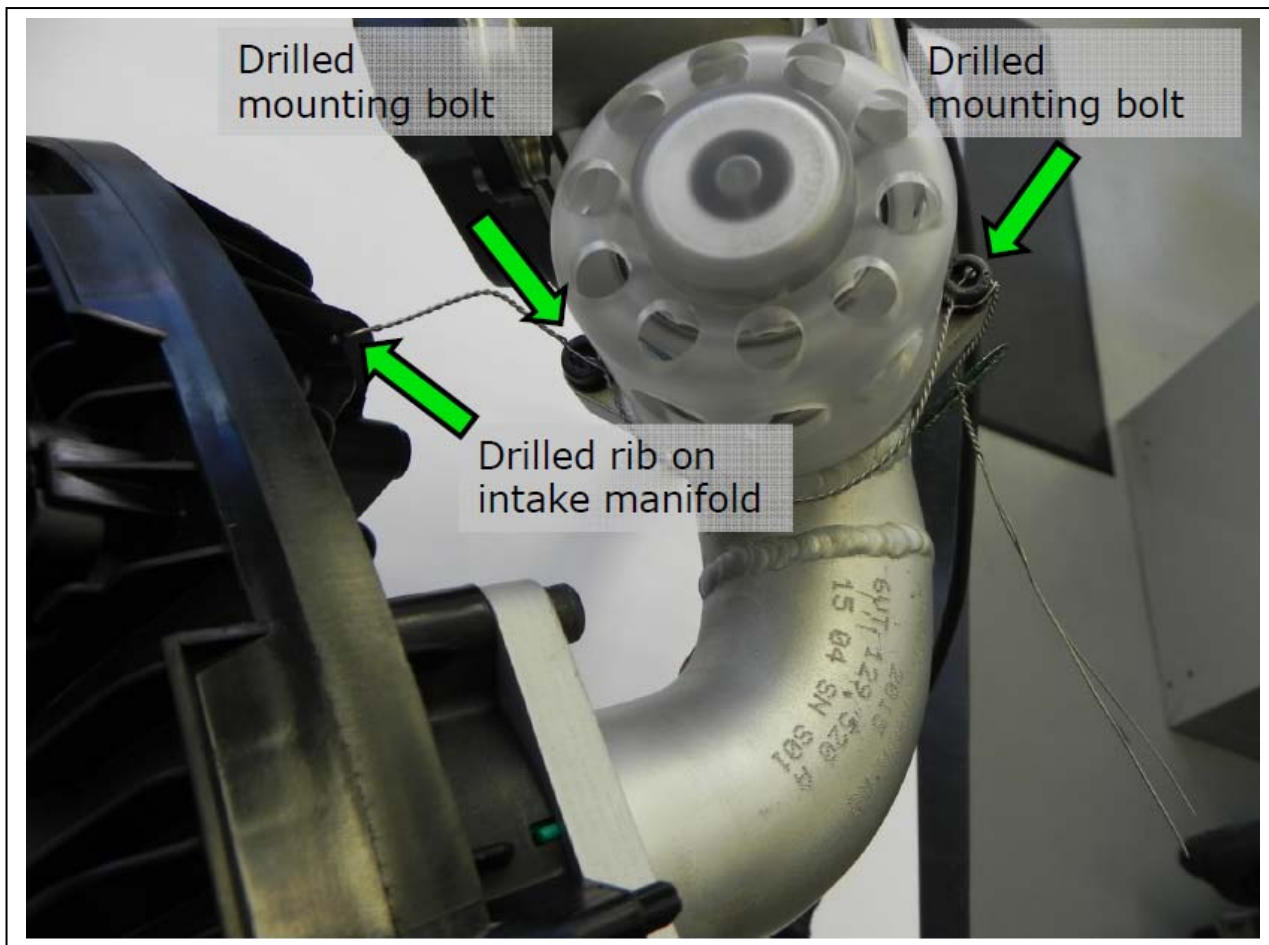
Model: FABIA R5

Date: 04/06/2015

## 1/ SEALING OF THE ENGINE BLOCK

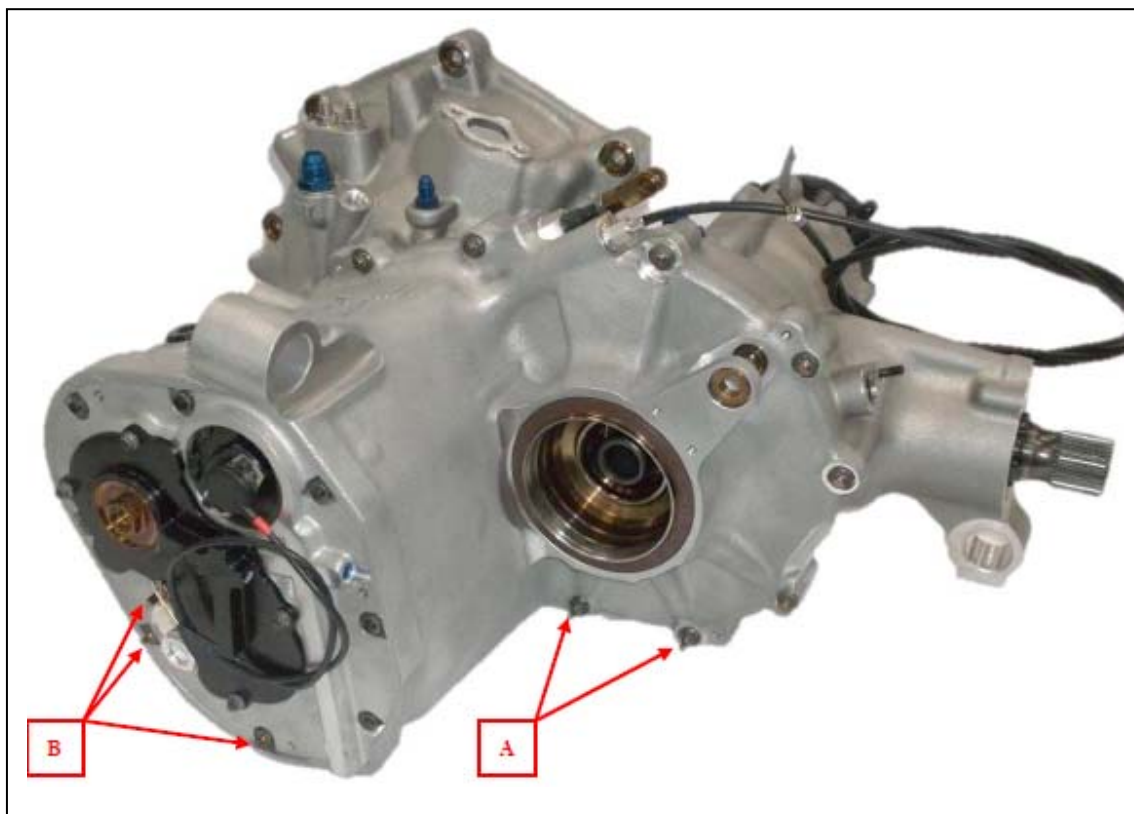


**2/ SEALING OF THE FIA / POP-OFF VALVE: 2 screws + connection to intake manifold**



### 3/ SEALING OF THE GEARBOX / FRONT DIFFENTIAL

#### SEAL n°1

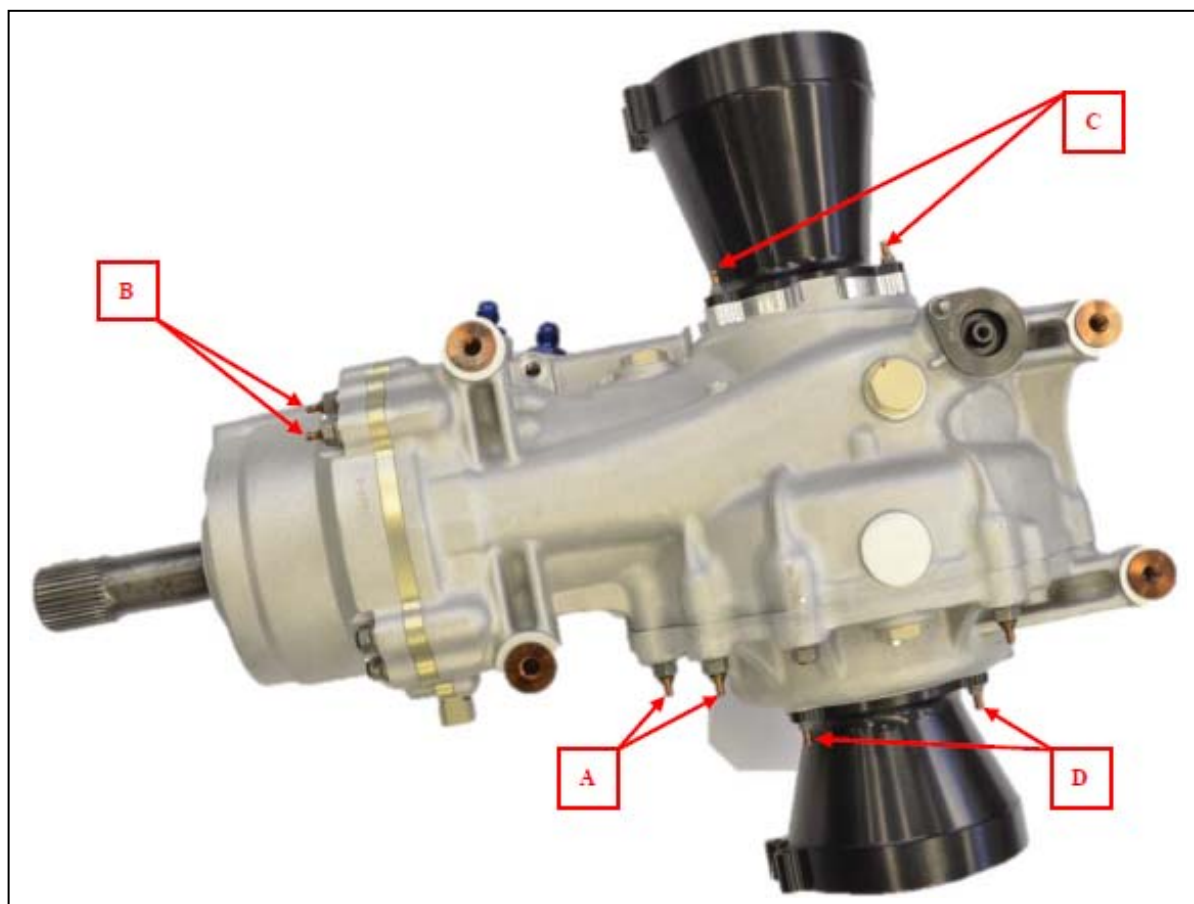


**A / B = FIA sealing tag + 2 aluminium seals**  
**C = 2 aluminium seals**





#### 4/ SEALING OF THE REAR DIFFERENTIAL



**A / B = FIA sealing tag + 2 aluminium seals**  
**C / D / E = 2 aluminium seals**



## 5/ SEALING OF THE TURBOCOMPRESSOR

